

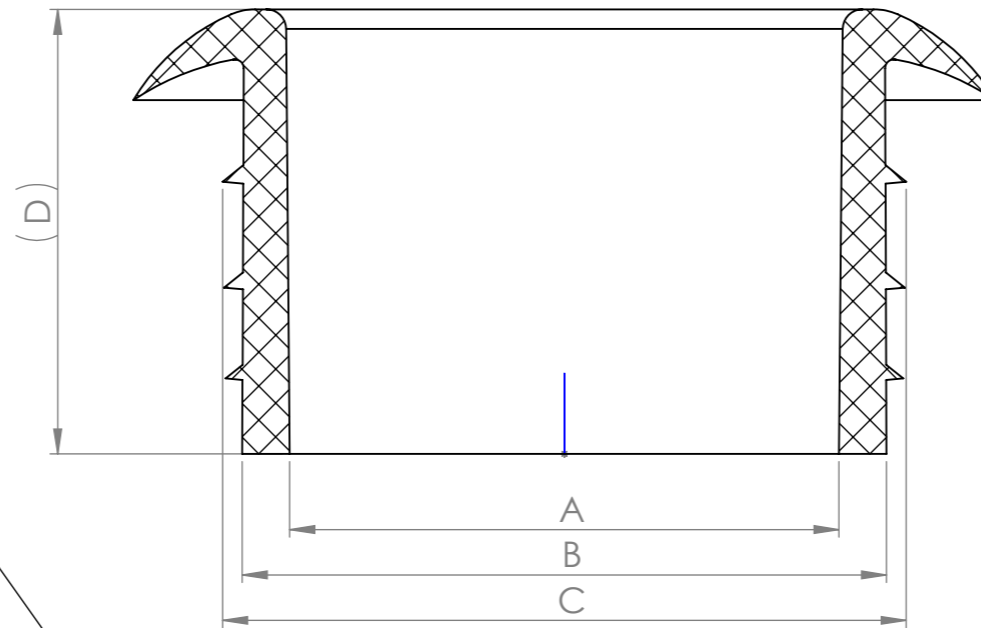
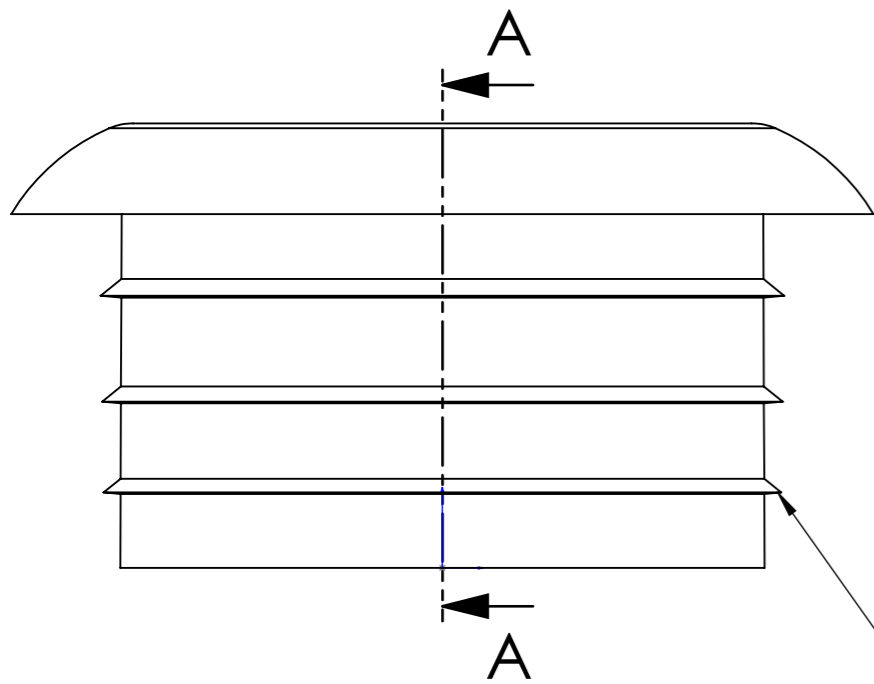
8 7 6 5 4 3 2 1

F
E
D
C
B
A

F
E
D
C
B
A

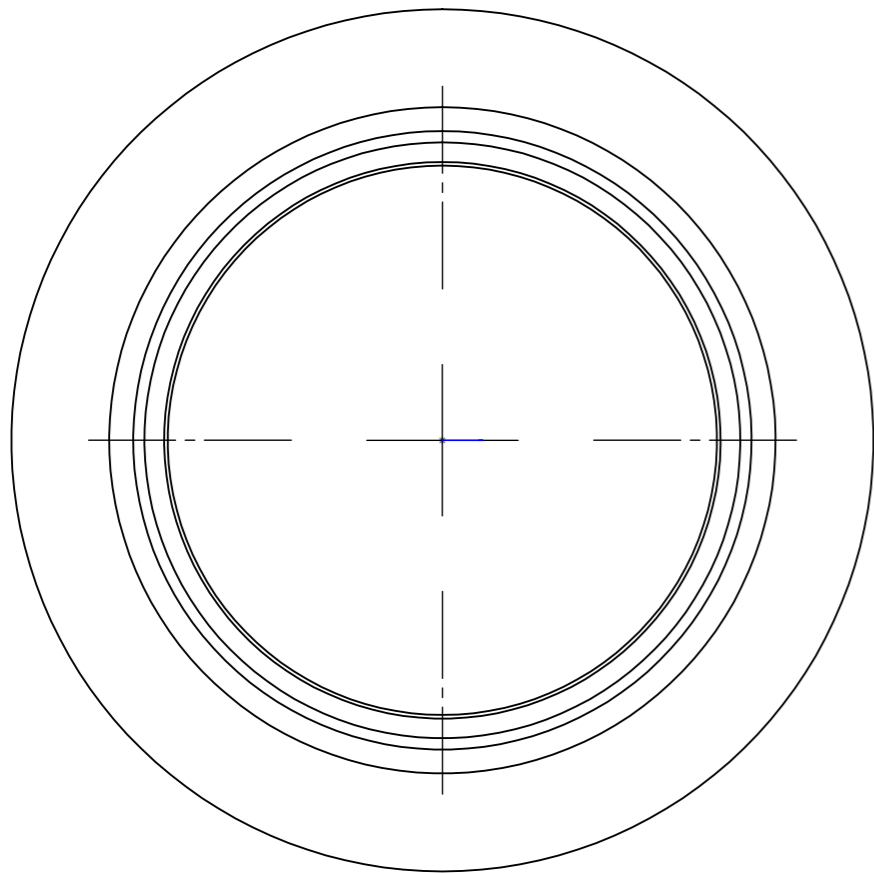
SECTION A-A

SCALE 4 : 1




- Plastic material is food contact approved
- Plastic material complies with REACH requirements
- Plastic material complies with RoHS requirements
- Material Vicat softening temperature is $83 \pm 3^\circ\text{C}$ (ISO306)
- Material melting point is $106 \pm 3^\circ\text{C}$ (DIN53765)
- Izod impact notched at -30°C is 5 kJ/m²
- Izod impact notched at 23°C is 42 kJ/m²
- Dynamic stress is not suggested temperatures colder than -20°C
- For further information Please contact orders@all-plast.fi

(¹) = minimum order quantity
 (²) = bag quantity for full box
 (³) = quantity of shoulders depend of electric number. Could be 2, 3, 4 or 5.



Electric number	JAPP- / JP-pipe type	pcs/bag ⁽¹⁾	bags/box ⁽²⁾	Dimension A	Dimension B	Dimension C	Dimension D
1131013	JAPP16	100	50	9,7	12,2	13,4	13,5
1131014		100	50	10,4	13,1	15,2	13,2
1131016		100	50	12,7	16,0	17,5	15,5
1131017	JAPP20	100	100	14,1	17,0	17,9	14,7
1131019		100	30	15,9	18,7	19,7	14,7
1131022	JAPP25	100	70	18,1	20,8	22,6	14,7
1131024		100	20	18,7	23,0	24,4	15,3
1131025		100	20	20,9	24,1	25,4	15,1
1131026		100	10	21,6	25,6	26,9	22,0
1131029	JP32	100	25	24,6	29,2	30,7	23,2
1131033		100	15	29,3	32,5	33,8	31,0
1131037	JAPP40	50	20	32,2	35,4	37,0	31,0
1131043		50	8	39,0	42,5	43,6	30,0
1131046	JAPP50	50	16	41,4	45,2	46,2	30,5

Tolerance: ISO/DIS 20457:2017	Volume - cm ³	Mass	Surface Treatment - g SPI B1
Size / Scale A3 4:1	Color White	Material PE Low Density	Designed By Arto Palviainen
 www.all-plast.fi	Description Putkipääte general dimensions	Material PE Low Density	Date 24.10.2018
			Date 24.10.2018
		Drawing number 10013	Rev -

Rev	DESCRIPTION	AUTHOR	DATE
8			
7			
6			
5			
4			
3			
2			
1			