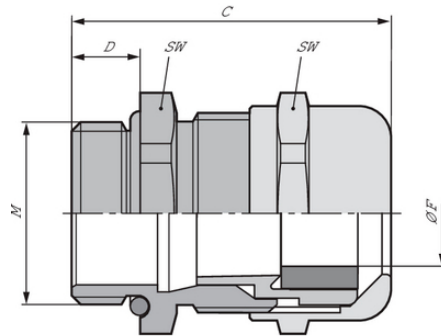


SKINTOP® MS-M-XL

SKINTOP® MS-M-XL, metric nickel-plated brass cable with wide, variable clamping ranges, especially for thick walls

Info

With IP69 approval! Proven to withstand the most demanding cleaning procedures for industrial machinery with high-pressure cleaners and hot water!



Good chemical resistance



Corrosion-resistant



Mechanical resistance



Optimum strain relief



Acid-resistant



Temperature-resistant



Variety of approval certifications

Benefits

Especially for thick walls

Maximum reliability

Optimum strain relief

Wide, variable clamping ranges

Last Update (24.04.2024)

©2024 Lapp Group - Technical changes reserved

Product Management www.lappkabel.de

You can find the current technical data in the corresponding data sheet.

PN 0456 / 02_03.16

SKINTOP® MS-M-XL

Application range

With long connection thread for applications involving a thicker wall
In areas where mechanical and chemical stability are critical
Chemical industry
Measurement and control technology
Machine and equipment manufacturing

Norm references / Approvals

UL File Nr. E79903

Product Make-up

Metric connection thread acc. to DIN EN 60423
Basis for technical information DIN IEC 62444

Technical Data

| | |
|------------------------|--|
| Classification ETIM 5: | ETIM 5.0 Class-ID: EC000441 ETIM 5.0 Class-Description: Cable screw gland |
| Classification ETIM 6: | ETIM 6.0 Class-ID: EC000441 ETIM 6.0 Class-Description: Cable screw gland |
| Caution: | Refer to Appendix T21 for the installation dimensions and torques |
| Material: | Body: nickel-plated brass Insert: polyamide Sealing: CR O-ring: NBR |
| Protection rating: | IP 68 - 10 bar IP 69 NEMA Type 1, 4x, 6, 12 |
| Temperature range: | Dynamic: -25 °C up to +100 °C Fixed: -40 °C to +100 °C |

Note

Photographs and graphics are not to scale and do not represent detailed images of the respective products.
Prices are net prices without VAT and surcharges. Sale to business customers only.

SKINTOP® MS-M-XL

| Article number | Article designation / size | Ø F mm | SW wrench size mm | Overall length C mm | Thread length D mm | Pieces / PU |
|------------------|----------------------------|------------|-------------------|---------------------|--------------------|-------------|
| SKINTOP® MS-M-XL | | | | | | |
| 53112005 | M 12 x 1,5 | 3.5 - 7.0 | 16 | 32.0 | 12 | 100 |
| 53112015 | M 16 x 1,5 | 4.5 - 10.0 | 20 | 38.0 | 12 | 50 |
| 53112025 | M 20 x 1,5 | 7 - 13.0 | 24 | 41.0 | 12 | 50 |
| 53112035 | M 25 x 1,5 | 9 - 17.0 | 29 | 42.5 | 12 | 25 |
| 53112045 | M 32 x 1,5 | 11 - 21.0 | 36 | 51.5 | 15 | 25 |
| 53112055 | M 40 x 1,5 | 19 - 28.0 | 45 | 54.5 | 15 | 10 |
| 53112065 | M 50 x 1,5 | 27 - 35.0 | 54 | 60.5 | 15 | 5 |

Last Update (24.04.2024)

©2024 Lapp Group - Technical changes reserved

Product Management www.lappkabel.de

You can find the current technical data in the corresponding data sheet.

PN 0456 / 02_03_16