

theLuxa S360 WH

Item no.: 1010510

theben

Presence and motion detectors Ceiling installation outdoor

Description

- Passive infra-red motion detector
- For outdoor use
- For installation on walls and ceilings
- 360° detection angle
- Sensor head can be turned by $\pm 90^\circ$ horizontally, by 45° downwards and by 90° upwards
- Adjustable brightness switching value and switch-off delay
- Sensitivity can be reduced to limit detection area
- Area limit via lens attachment
- Mixed light measurement suitable for the control of fluorescent, incandescent, halogen lamps and LEDs
- Zero-cross switching for relay-saving switching and high lamp loads
- Teach-in of current brightness value possible
- Pulse function
- Test function for checking detection area
- Installation on flush-mounted socket possible (60 mm)
- Single-handed plug-in installation
- Instant start-up possible via factory preset
- Controls are place protected
- Terminal for protective earth conductor
- Corner angle included in delivery



Technical data

theLuxa S360 WH	
Operating voltage	230 V AC
Frequency	50 Hz
Stand-by consumption	~0.5 W
Light measurement	Mixed light measurement
Number of channels	1
Colour	White (similar RAL 9010)
Switching output	Light
Installation type	Wall and ceiling installation, Outdoor
Setting range brightness	5 lx - 1000 lx
Switching capacity	10 A at 230 V AC, $\cos \varphi = 1$, 6 A at 230 V AC, $\cos \varphi = 0.6$, 3 AX at 230 V AC, $\cos \varphi = 0.3$
Detection angle	360°
Installation height	2 - 4 m
Light switch-off delay	1 s - 20 min
Incandescent/halogen lamp load	2300 W
Fluorescent lamp load (conventional) not corrected	2300 VA

theLuxa S360 WH	
Fluorescent lamp load (conventional) parallel-corrected	1200 VA 120 μ F
Fluorescent lamp load (conventional) series-corrected	2300 VA
Fluorescent lamp load (electronic ballast)	1000 W
Energy saving lamps	250 W
Inrush current	max. 300 A / 200 μ s
LED lamp < 2 W	50 W
LED lamp 2-8 W	500 W
LED lamp > 8 W	500 W
Lamp types	Incandescent/halogen lamps, fluorescent lamps, Energy saving lamps, LEDs
Detection range	Round, Round, Round, Round, Round, Round, Round, Round, Round, Round
Remote controlled	-
Ambient temperature	-25°C ... 45°C

Subject to technical changes and misprints

additional information at: www.theben.de/product/1010510

The load data are determined with exemplary selected illuminants and are therefore typical data due to the large number of available products.

theLuxa S360 WH

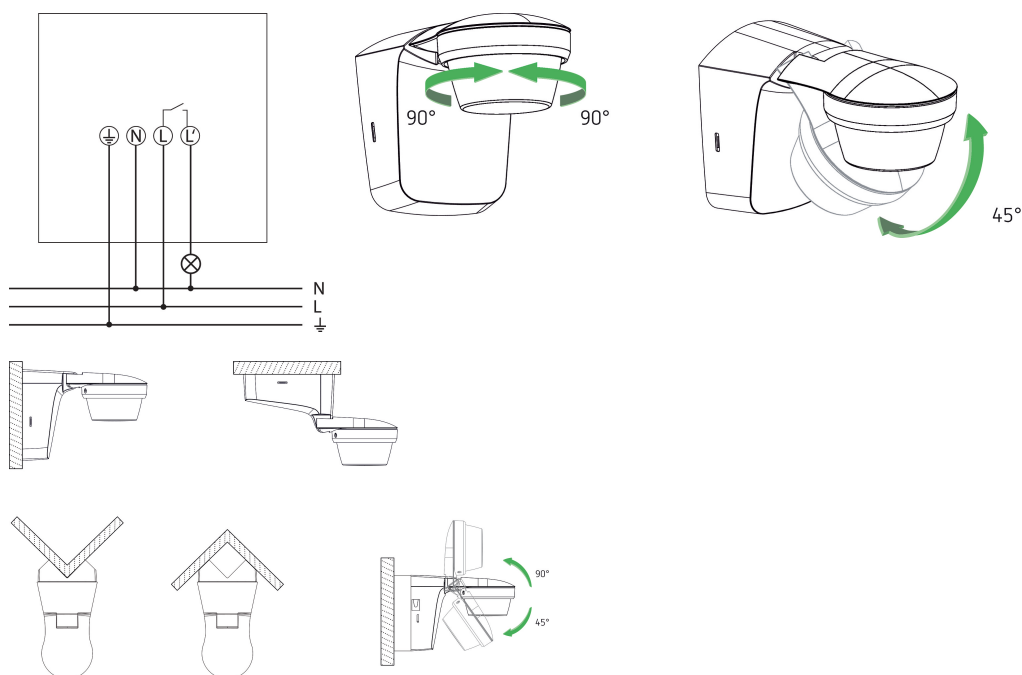
Item no.: 1010510

theben

Technical data

theLuxa S360 WH	
Protection class	II
Type of protection	IP 66

Connection example



Detection range for planning applications at a temperature of 21 °C

Mounting height (A)	Diagonally (t)	Head on to (R)	
2 m	15 m	4 m	
2.5 m	16 m	5 m	
3 m	16 m	5 m	
3.5 m	10 m	5 m	
4 m	8 m	3 m	

Subject to technical changes and misprints

additional information at: www.theben.de/product/1010510

The load data are determined with exemplary selected illuminants and are therefore typical data due to the large number of available products.

theLuxa S360 WH

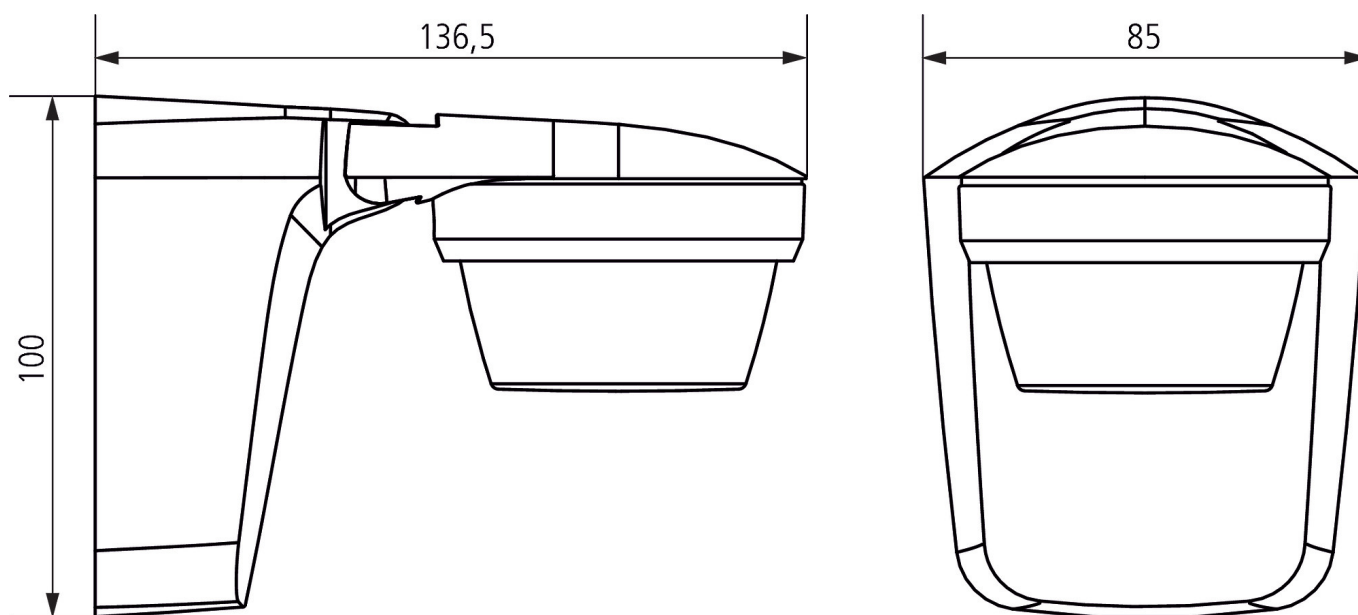
Item no.: 1010510

theben

Detection range for planning applications at a temperature of 21 °C



Scale drawings



Subject to technical changes and misprints

additional information at: www.theben.de/product/1010510

The load data are determined with exemplary selected illuminants and are therefore typical data due to the large number of available products.

28/05/2024

Page 3 of 4

theLuxa S360 WH

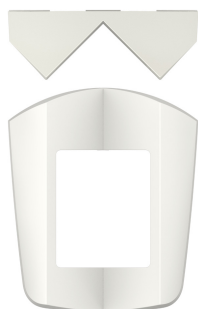
Item no.: 1010510



Accessories

Corner angle theLuxa S WH

Item no.: 9070902



Spacer theLuxa S WH

Item no.: 9070906

