

# XZCC12MCM40B

Male, M12, 4 pin, elbowed connector, cable gland Pg 7



## Main

Range of product	Telemecanique Cabling components
Accessory / separate part categor	Cabling accessories
Accessory / separate part type	Connector
Electrical connection	Elbowed male connector M12, 4 pins
Collar material	Metal
Status LED	Without
Cable connection	Screw terminal / wire size <math><0.75 \text{ mm}^2</math> / clamping capacity 3...6 mm

## Complementary

Cable gland type	Pg 7
Cable connector fixing	Screw-on
[Ue] rated operational voltage	125 V AC 150 V DC
[In] rated current	3 A
Enclosure material	Plastic
Minimum insulating resistance	1000 G $\Omega$
Contact resistance	8000 $\mu\text{Ohm}$
Net weight	0.025 kg

## Environment

IP degree of protection	IP67
Ambient air temperature for operation	-40...85 °C

## Packing Units

Unit Type of Package 1	PCE
Number of Units in Package 1	1
Package 1 Height	3.000 cm
Package 1 Width	5.000 cm
Package 1 Length	11.000 cm
Package 1 Weight	27.000 g
Unit Type of Package 2	S02
Number of Units in Package 2	100
Package 2 Height	15.000 cm
Package 2 Width	30.000 cm
Package 2 Length	40.000 cm
Package 2 Weight	3.017 kg

## Offer Sustainability

California proposition 65	WARNING: This product can expose you to chemicals including: Diisononyl phthalate (DINP), which is known to the State of California to cause cancer, and Di-isodecyl phthalate (DIDP), which is known to the State of California to cause birth defects or other reproductive harm. For more information go to <a href="http://www.P65Warnings.ca.gov">www.P65Warnings.ca.gov</a>
For all Reach Rohs enquiries contact us at	<a href="mailto:sustainability@tesensors.com">sustainability@tesensors.com</a>

## Contractual warranty

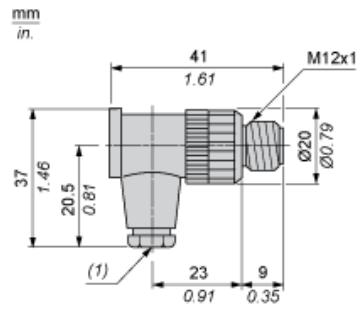
---

Warranty

18 months

---

Dimensions



(1) Cable gland : no. 7 plastic (Pg 7)

---

## Connections and Schemes

---

