

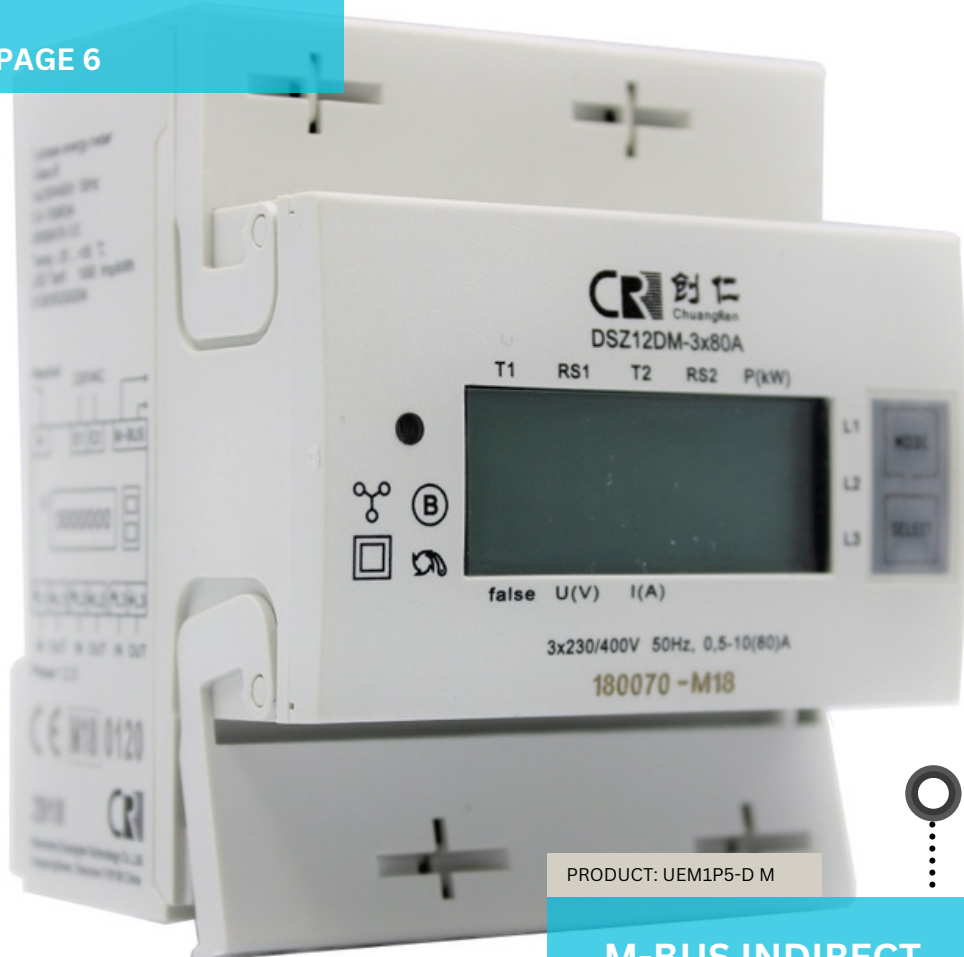
# PRODUCT CATALOG

## ENERGY METERS & MORE

PRODUCT: DSZ12DM

**M-BUS DIRECT  
METER, 80A  
3X230/400V**

SEE PAGE 6



PRODUCT: UEM1P5-D M

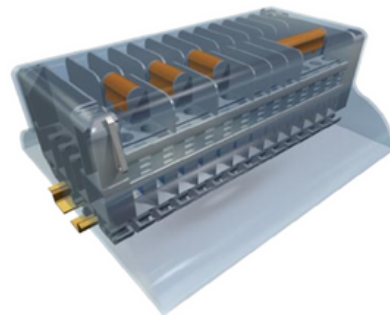
**M-BUS INDIRECT  
METER, 5(1-6)A  
3X230/400V**

# BEST SELLERS

Our best-selling product is a game-changer in its category. Crafted with precision and innovation, it exceeds expectations. Whether you're a professional or enthusiast, it guarantees unmatched performance and reliability. Join our satisfied customers and elevate your work with our top-tier product.

UPGRADE THE SYSTEM

WORK SAFE



1.

2.

LESS RISKS

EASY DATA



3.

4.

1. TQ SERIES

## SPLIT-CORE CT

4 major models

up to 150A for 18 mm cable  
up to 300A for 28 mm cable  
up to 1000A for (2x)42 mm cable

2. UNIBLOC SERIES

## TEST BLOCK

2 major models

10 way for one meter  
16 way for two meters

3. DSZ SERIES

## M-BUS METER

Direct and in-direct

up to 80 A in direct connection  
5 A for in-direct connection

4. MUC SERIES

## M-BUS LOGGER

Wired and wireless



# RANGE OF EV CHARGERS

Starting from home users with 11 kW and up to 160 kW for public use

VISIT PAGE  
25 FOR  
DETAILS



# NEW INSTRUMENTS

Lorem ipsum dolor sit amet, consectetur adipiscing elit, sed do eiusmod tempor incididunt ut labore et dolore magna aliqua.



PRODUCT CODE: #876545

## UPM309

Various functions and communication  
96 x 96 x 32 mm



PRODUCT CODE: #876545

## UPM209

Various functions and communication  
90 x 72 x 54 mm



PRODUCT CODE: #876545

## ROGOWSKI CONVERTER

Converts MV to 1A

PRODUCT CODE: #876545

## ROGOWSKI COILS

Various lengths

- 30 cm
- 60 cm
- 90 cm



# ABOUT US

**Your energy lab:** We are a leading provider of professional electrical equipment for all kinds of networks. We started in 1993 selling electricity meters and current transformers. Our experience has made us the supplier and system integrator of choice for monitoring and data acquisition of all types of energy consumption.



At Pistrík, our passion lies in delivering innovative solutions that empower individuals and businesses alike to measure and optimize energy and water consumption. We believe that by providing accurate and reliable measurement tools, we can contribute to a more sustainable future for our planet.



Whether you are a homeowner looking to monitor energy usage, or a business seeking to optimize your operations, we have the perfect solution for you. Our comprehensive range of products, meticulously designed to meet the highest industry standards, are tailored to suit the diverse needs of our valued customers.



Join us on our journey towards a greener and more sustainable future. We are creating a world where use of energy is measured and optimized with precision and care.





POPULAR PRODUCT

## DSZ

Modular energy meter

Direct version with M-bus

Indirect version with M-bus

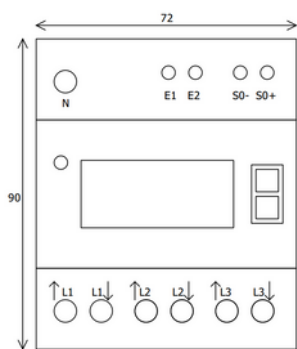
Direct version with RS485

Indirect version with RS485

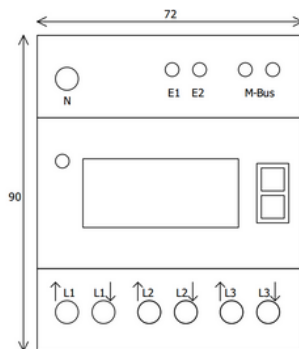
Direct version without communication

Indirect version without communication

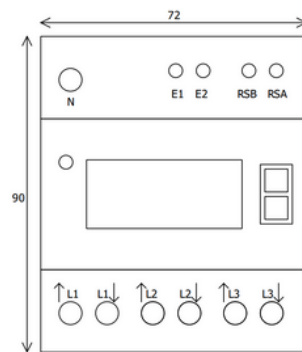
Model	Voltage	Current	MID	Communication
DSZ12DM	3x230/400 V	10(80) A	yes, class B	M-Bus
DSZ12WDM		5 A		
DSZ14DR		10(80) A		RS485
DSZ14WDR		5 A		
DSZ12DR		10(80) A		Pulse
DSZ12WD		5 A		



Pulse output



M-bus



Modbus RTU



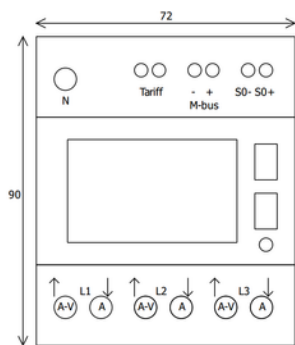
POPULAR PRODUCT

## UEM

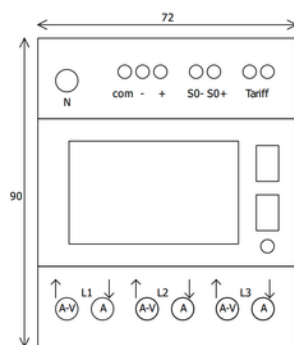
Modular energy meter

- Direct version with M-bus
- Indirect version with M-bus
- Direct version with Modbus RTU
- Indirect version with Modbus RTU
- Direct version with Modbus TCP
- Indirect version with Modbus TCP

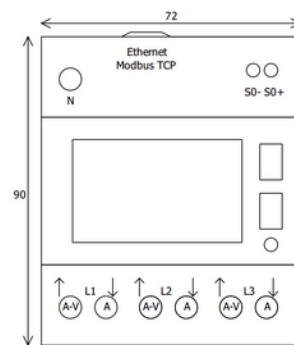
Model	Voltage	Current	MID	Communication
UEM80-4D M	3x230/400 V	5(80) A	yes, class B	M-Bus
UEM1P5-4D M		5(1-6) A		
UEM80-4D R		5(80) A		Modbus RTU
UEM1P5-4D R		5(1-6) A		
UEM80-4D E		5(80) A		Modbus TCP, webserver
UEM1P5-4D E		5(1-6) A		



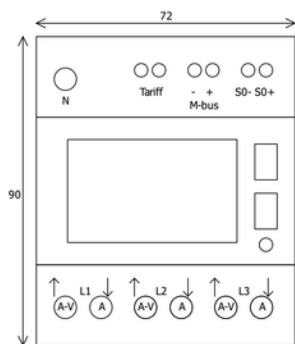
Direct, M-Bus



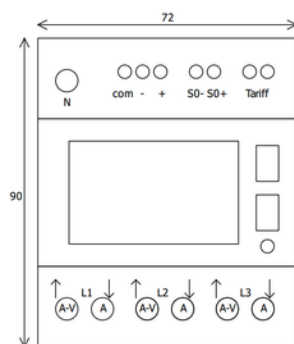
Direct, Modbus RTU



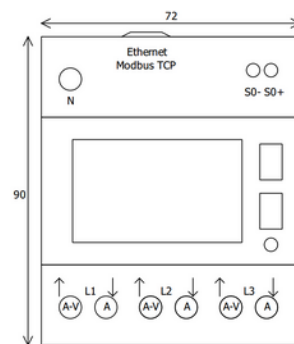
Direct, Modbus TCP



Indirect, M-Bus



Indirect, Modbus RTU

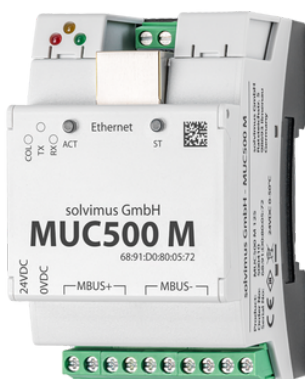


Indirect, Modbus TCP



Type	DSZ		UEM	
Parameter	Display	Readout	Display	Readout
Instant values	V, I, P	V, I, P	S, P, Q, CW	V, I, PF, S, P, Q, CW
Recorded data	kWh	kWh	kWh, kvarh, kVah (by tariffs* and total)	kWh, kvarh, kVah (by tariffs* and total)
Other information	-	-	PAR, SO	T (1/2), VOL, VUL, IOL, IUL, Fout, PAR





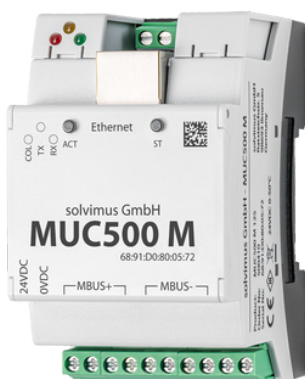
NEW PRODUCT

## M-BUS DATA LOGGER

Smart concentrator

- up to 125 meters via ethernet
- up to 250 meters via ethernet
- up to 500 meters via ethernet
- up to 80 meters via ethernet
- up to 80 meters via ethernet or LTE

<i>Model</i>	<i>Power supply</i>	<i>Connectable meters</i>	<i>Protocol</i>	<i>Data transmission</i>
MUC500 125 M, wired	12...36 VDC, 2W in idle and 40W at maximum load (MUC500)	125	EN 13757, wired M-Bus	TCP, TLS, SMTP, FTP, MQTT, Local file storage, user specific scripts (CSV, XML, JSON, user-specific formats)
MUC500 250 M		250		
MUC500 500 M		500		
MUC.EASY	90..260 VAC, 2W in idle and 10W at maximum load	80	EN 13757, wired M-Bus OMS wireless M-Bus	
MUC.EASY PLUS, LTE (4G)		80		



NEW PRODUCT

## MODBUS DATA LOGGER

Smart concentrator  
Up to 32 meters

<i>Model</i>	<i>Power supply</i>	<i>Connectable meters</i>	<i>Protocol</i>	<i>Data transmission</i>
Mango R PI	12...36 VDC, 2W in idle and 40W at maximum load (MUC500)	32	Modbus RTU	TCP, TLS, SMTP, FTP, MQTT, Local file storage, user specific scripts (CSV, XML, JSON, user-specific formats)



NEW PRODUCT

## MODBUS RTU - TCP

Smart gateway and converter  
Up to 16 meters

<i>Model</i>	<i>Power supply</i>	<i>Connectable meters</i>	<i>Protocol</i>	<i>Data transmission</i>
SG-E1	85...265 VAC or 85...300 VDC	16	Modbus RTU, Modbus TCP	TCP, MQTT Wired over RJ45 or wireless

NEW PRODUCT



## SINGLE PHASE METERS

<i>Model</i>	<i>Voltage</i>	<i>Current</i>	<i>Communication</i>	<i>Dimensions</i>
ME162-D1A51-V12G12-KO	230 VAC	5(65) A	SO	130x97x43 mm
ME162-D1A52-G12-M3KO		5(85) A		

NEW PRODUCT



## POLYPHASE METERS

<i>Model</i>	<i>Voltage</i>	<i>Current</i>	<i>Communication</i>	<i>Dimensions</i>
MT174-D1A51-V12G12-KO	3x230/400 VAC	5(85) A	SO	130x97x43 mm
MT174-D1A51-G12-M3KO		5(85) A		
MT174-D2A51-G12-M3KO		10(120)A		
MT174-T1A52-G12-M3KO		1-5(6) A		
MT174-T1A52R62-G22-M3KOZ		1-5(6) A	RS485, SO	



NEW PRODUCT

## MULTIMETER

96x96 mm panel digital instrument  
Suitable for Huawei Solar Logger communication

Model	Voltage	Current	Communication	Dimensions
UPM309-	230 VAC	5(65) A	Modbus RTU	130x97x43 mm
UPM309-		5(85) A		
UPM309-			Modbus TCP	
L50			Modbus RTU*	



NEW PRODUCT

## MULTIMETER

DIN digital instrument  
Suitable for Huawei Solar Logger communication

Model	Voltage	Current	Communication	Dimensions
UPM209	3x230/400 VAC	5(85) A	SO	130x97x43 mm
UPM209		5(85) A		
UPM209		10(120)A		



NEW PRODUCT



## CURRENT TRANSFORMERS

Accuracy class 0.5

	<i>Code</i>	<i>Current</i>	<i>Class and burden</i>	<i>Window</i>
<b>P S A 1 1 3</b>	77105-1312	100/5 A	0.5 / 1VA	D25 / B30x10 mm
	77105-1532	150/5 A	0.5 / 2.5VA	
	77105-1632	200/5 A	0.5/2.5VA	
	77105-1732	250/5 A	0.5/2.5VA	
	77105-1832	300/5 A	0.5/2.5VA	
	77105-1932	400/5 A	0.5/2.5VA	
<b>P S A 4 1 3</b>	77113-1842	300/5 A	0.5/5VA	D28 / B40x10(12) mm
	77113-1942	400/5 A	0.5/5VA	
	77113-2042	500/5 A	0.5/5VA	
	77113-2142	600/5 A	0.5/5VA	
<b>P S A 6 1 3</b>	77119-2342	800/5 A	0.5/5VA	D45 / B60x10 mm
	77119-2442	1000/5 A	0.5/5VA	
	77119-2742	1500/5 A	0.5/5VA	

NEW PRODUCT



## CURRENT TRANSFORMERS

Accuracy class 0.5

	<i>Code</i>	<i>Current</i>	<i>Class and burden</i>	<i>Window</i>
<b>P S A 8 1 4</b>	77124-2862	1600/5 A	0.5/10VA	D60 / B80x10 mm
	77124-2962	2000/5 A	0.5/5VA	
<b>P S A 1 0 3 4</b>	77125-2442	1000/5 A	0.5/5VA	D85 / 3x100x10 mm
	77125-2742	1500/5 A	0.5/5VA	
	77525-2942	2000/5 A	0.5/5VA	
	77125-3162	2500/5 A	0.5/2.5VA	
<b>P S A 1 2 7 4</b>	77128-3162	2500/5 A	0.5/10VA	B4x120x12 mm
	77128-3262	3000/5 A	0.5/10VA	
	77128-3362	4000/5 A	0.5/5VA	



NEW PRODUCT



# CURRENT TRANSFORMERS

Accuracy class 0.2s

	<i>Code</i>	<i>Current</i>	<i>Class and burden</i>	<i>Window</i>
P S A 8 1 4	77124-2862	1600/5 A	0.5/10VA	D60 / B80x10 mm
	77124-2962	2000/5 A	0.5/5VA	
P S A 1 0 3 4	77125-2442	1000/5 A	0.5/5VA	D85 / 3x100x10 mm
	77125-2742	1500/5 A	0.5/5VA	
	77525-2942	2000/5 A	0.5/5VA	
	77125-3162	2500/5 A	0.5/2.5VA	
P S A 1 2 7 4	77128-3162	2500/5 A	0.5/10VA	B4x120x12 mm
	77128-3262	3000/5 A	0.5/10VA	
	77128-3362	4000/5 A	0.5/5VA	





NEW PRODUCT



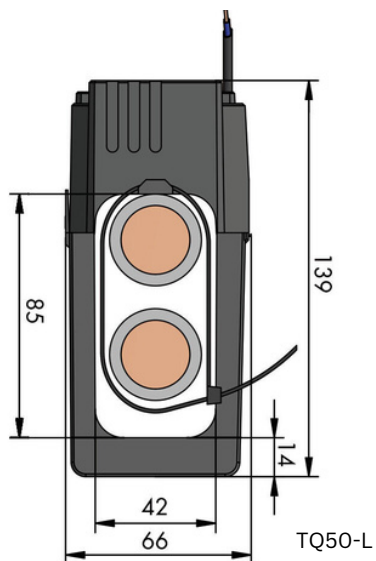
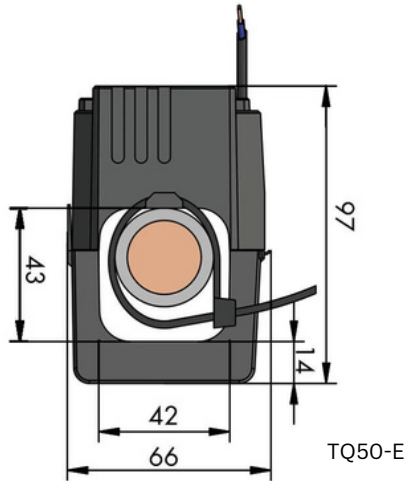
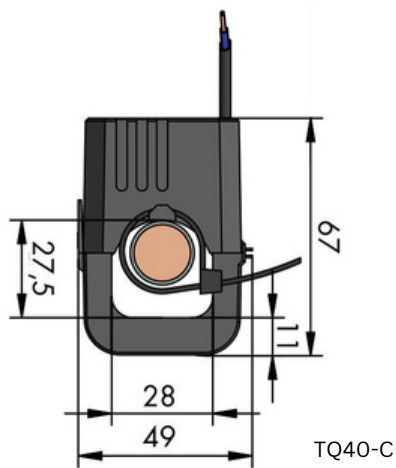
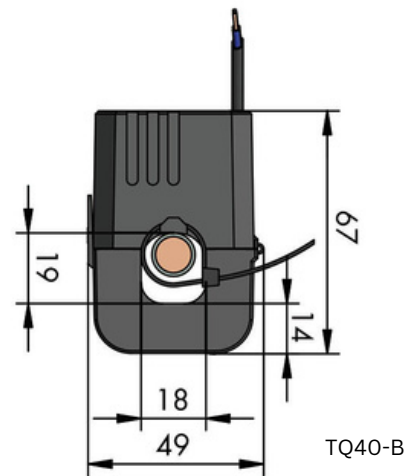
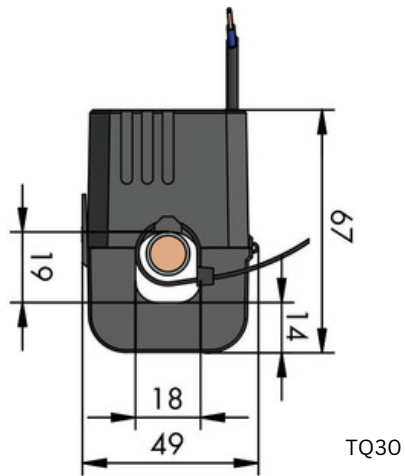
## SPLIT-CORE CURRENT TRANSFORMERS

Accuracy class 0.5 and 1

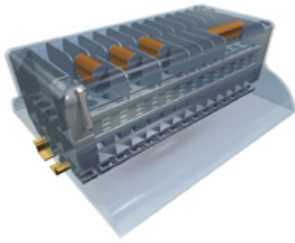
	<i>Code</i>	<i>Current</i>	<i>Class and burden</i>	<i>Window</i>
T Q 3 0	4Q3B02A	60/1 A	3/0.2VA	D18 mm
	4Q3B05A	100/1 A	3/0.2VA	
T Q 4 0	4Q4B58A(B)	150/5A	1/1VA	D18 mm
	4Q4B59A(B)	200/5A	1/1VA	
	4Q4B09A(B)	200/1A	0.5/0.2VA	
	4Q4B60(B)	250/5A	0.5/1VA	D28 mm
	4Q4C60A(C)	250/5A	1/1VA	
	4Q4C61A(C)	300/5A	1/1VA	
T Q 5 0	4Q5R12A(E)	400/1A	0.5/0.5VA	D42 mm
	4Q5E64(E)	600/5A	0.5/0.5VA	
	4Q5E67(E)	1000/5A	0.5/0.5VA	
	4Q5L64(L)	600/5A	0.5/0.5VA	D2x42 mm
	4A5L65(L)	750/5A	0.5/0.5VA	
	4Q5L67(L)	1000/5A	0.5/0.5VA	

# SPLIT-CORE CURRENT TRANSFORMERS

Accuracy class 0.5 and 1



NEW PRODUCT



# TEST TERMINAL BLOCK

Safe disconnection and test of energy meters

	<i>Code</i>	<i>Connectable meters</i>	<i>Terminals</i>	<i>Cover</i>
1 0 E - 6 I - 4 T	549640	1	10	Transparent
	5493741			Opaque
1 6 E - 1 2 i - 4 t	549424	2	16	Transparent





# ROGOWSKI COILS

Rogowski coil is a flexible current transducer based on Rogowski principle. The coil is provided with a shield against the influence of external magnetic fields, therefore it grants a stable measurement from low currents to hundreds of kA. The Rogowski coils must be connected to an electronic integrator or and converter.

## MFC140

Various sizes  
from 15 to 50 cm in length  
3 m cable

## MFC150

Various sizes  
from 25 to 120 cm in length  
3 m cable

## MFC190

Various sizes  
from 30 to 120 cm in length  
3 m cable

## CONVERTERS

Various outputs

NEW PRODUCT



## ROGOWSKI COILS

Safe measurement  
 Ø7 mm flexible Rogowski coil for outdoor use

	<i>Code</i>	<i>Coul cross section</i>	<i>Length / internal diamete</i>	<i>Description</i>
M F C 1 4 O	3801.0001.0001	7	15 / 4	100mV/1kA@50Hz
	3801.0002.0001		28 / 8	
	3801.0003.0001		40 / 12	
	3801.0004.0001		50 / 15	
M F C 1 4 O F	3802.0001.0001		15 / 4	333mV/200A@50Hz
	3802.0002.0001		28 / 8	333mV/250A@50Hz
	3802.0003.0001		40 / 12	333mV/600A@50Hz
	3802.0004.0001		50 / 15	333mV/1kA@50Hz

NEW PRODUCT



## ROGOWSKI COILS

Safe measurement  
 Ø8 mm flexible Rogowski coil for outdoor use

	<i>Code</i>	<i>Coil cross section</i>	<i>Length / internal diameter</i>	<i>Description</i>
<b>M F C 1 5 0</b>	3101.0002.0001	8	25 / 5	For RPS51, RPS50, RC3000 (not included)
	3101.0004.0001		35 / 9	
	3101.0009.0001		60 / 17.5	
	3101.0013.0001		90 / 27	
	3101.0017.0001		120 / 36	
<b>M F C 1 4 0 F</b>	3104.0005.0001		25 / 5	100mV/1kA@50Hz
	3104.0013.0001		35 / 9	
	3104.0021.0001		60 / 17.5	
	3104.0023.0001		90 / 27	
	3104.0041.0001		120 / 36	
<b>M F C 1 5 0 / F</b>	3118.0001.0001		40 / 11	333mV/1kA@50Hz
	3118.0002.0001		60 / 17.5	333mV/2kA@50Hz
	3118.0003.0001		90 / 27	333mV/5kA@50Hz

NEW PRODUCT



## ROGOWSKI COILS

Safe measurement  
 Ø12 mm flexible Rogowski coil for outdoor use

	<i>Code</i>	<i>Coul cross section</i>	<i>Length / internal diamete</i>	<i>Description</i>
<b>M F C 1 9 0</b>	3301.0001.0001	12	30 / 6	333mV/1kA@50Hz
	3301.0002.0001		35 / 7	
	3301.0004.0001		60 / 17	
	3301.0005.0001		90 / 26	
	3301.0006.0001		120 / 35	





NEW PRODUCT

## MULTISCALE SINGLE ROGOWSKI COIL CONVERTER

Safe measurement  
80...265 VAC

	<i>Code</i>	<i>Output</i>	<i>Full scale values</i>	To use with
<b>R P S 5 1</b>	2105.0001.0001	1 A	100-500-1000- 5000 A	1 unit of 100mV/kA@50Hz MFC150 or MFC140 (not included)
	2101.0002.0001	0...20mA	3000 A	3 units of MFC150 (not included)
2101.0004.0001	1000 A			
<b>F C A 3 0 0 0</b>	2101.0006.0001	4...20mA	3000 A	
	2101.0008.0001		1000 A	
	2101.0010.0001	0...10VDC	3000 A	
	2101.0012.0001		1000 A	



NEW PRODUCT

**EV CHARGERS**  
 Home and public 11-22 KW  
 Public AC 44 KW  
 Public DC 120-160 KW

# PREMIUM EV CHARGERS

European products that boast with compatibility with all brands of electric cars, the highest degree of electrical safety and control as well as elegant design.

## 11 KW

- DC fault protection
- LED ambient lighting
- Charging cable type 2 plug
- Ethernet, RS-485
- OCPP communication protocol
- Dynamic load management via backend

**FROM 690 EUR**

## 22 KW

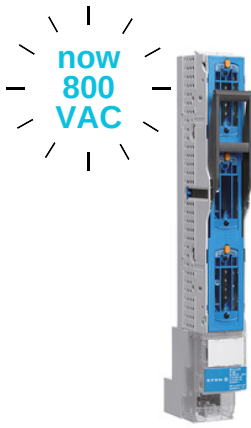
- DC fault protection
- LED ambient lighting
- Charging cable type 2 plug
- Ethernet, RS-485
- OCPP communication protocol
- Dynamic load management via backend

**FROM 740 EUR**

## 44 KW

- AC/DC fault protection
- LED ambient lighting
- 2x Type 2 sockets
- Ethernet
- OCPP communication protocol
- Dynamic load management via backend

**FROM 2900 EUR**

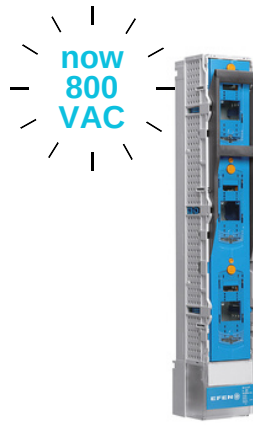


PRODUCT UPDATE

### FUSE DISCONNECTOR

185 mm, size 00

400 V 160 A AC-23B  
 500 V 160 A AC-22B  
 690 V 160 A AC-22B  
 800 V 80 A AC-21B

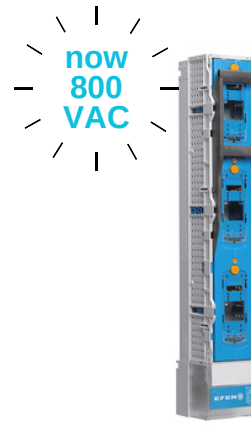


PRODUCT UPDATE

### FUSE DISCONNECTOR

185 mm, size 1

400 V 250 A AC-23B  
 500 V 250 A AC-22B  
 690 V 250 A AC-22B  
 800 V 80 A AC-21B

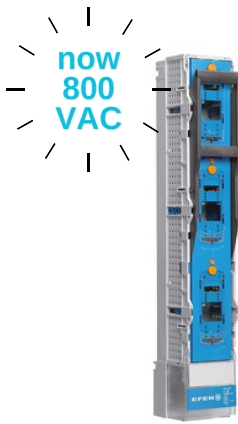


PRODUCT UPDATE

### FUSE DISCONNECTOR

185 mm, size 2

400 V 400 A AC-23B  
 500 V 400 A AC-22B  
 690 V 400 A AC-22B  
 800 V 200 A AC-21B



PRODUCT UPDATE

### FUSE DISCONNECTOR

185 mm, size 3

400 V 630 A AC-23B  
 500 V 630 A AC-22B  
 690 V 630 A AC-22B  
 800 V 315 A AC-21B



NEW PRODUCT

### FUSE gG 800VAC

Size 00, 1, 2, 3

Size 00 up to 80 A  
 Size 1 up to 80 A  
 Size 2 up to 200 A  
 Size 3 up to 315 A



NEW PRODUCT

### FUSE MONITORING

Fuse disconnectors with fuse monitoring

Size 00 up to 160 A  
 Size 1 up to 250 A  
 Size 2 up to 400 A  
 Size 3 up to 630 A



NEW PRODUCT

### POLYESTER CABINET

DIN

Size 1  
 Size 2  
 Size 3



NEW PRODUCT

### SURGE ARRESTER 1000 VDC

T1/T2 - 12.5 kA



NEW PRODUCT

### EARTH RELAY - TRANSFORMER

Adjustable 0.025 - 250 A / 0.02 - 5 s

Diameter 35 mm  
 Diameter 60 mm  
 Diameter 80 mm  
 Diameter 110 mm



**SHOP NOW**

[WWW.PISTRİK.EE](http://WWW.PISTRİK.EE)