

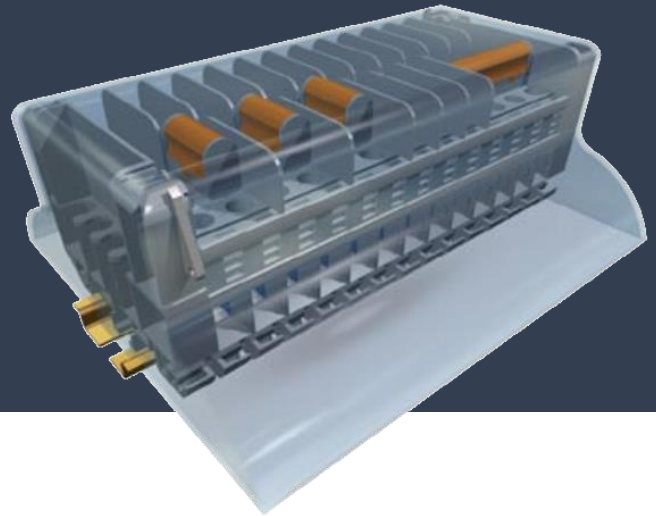
# Smart metering

Test terminal block

## 10E-6I-4T EPI

Long sealable cover

Insulated jumper plugs



### Technical data

#### Rated voltages

Terminal block unit	600V
Terminal block	800V
Jumper plug	600V CAT IV

#### Rated connection

1.5..16 mm<sup>2</sup> /  
2x6 mm<sup>2</sup>

#### Current ratings

Perpendicular plug connection (T=-5..30°C)	32A
Perpendicular plug connection (T=-5..60°C)	14A
Longitudinal line of Terminal block	76A

#### Mechanical parameters

Impact resistance	IK08
Ingress protection (with cover)	IP40
Ingress protection (w/o cover)	IP20
Resistance to hot wire ignition	850°C

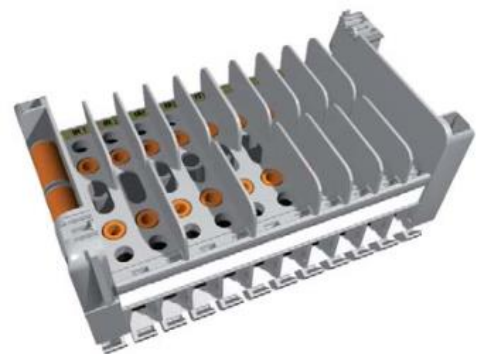
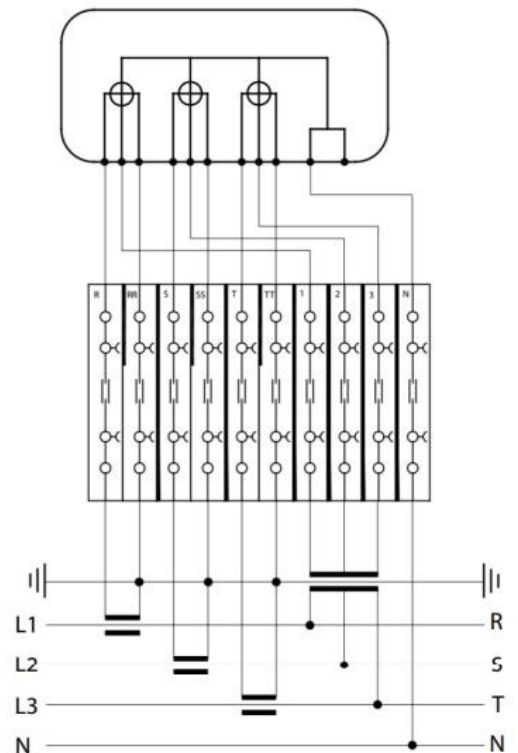
Dielectric strength test voltage	4.12kV
Uimp Impulse rated voltage	8kV

#### Temperature

Normal service temperature	-40°C +40°C
Lowest installation temperature	-25°C

#### Standard

EN 60947-7-1  
EN 61010-031



### Questions / inquiries / orders

OÜ Pistrik I-V  
Laki 26, 12915 TALLINN, ESTONIA

[www.pistrik.ee](http://www.pistrik.ee)  
[sales@pistrik.ee](mailto:sales@pistrik.ee)