

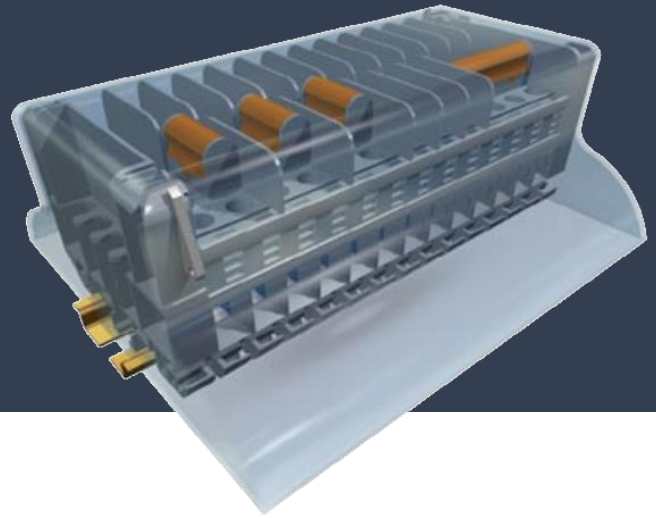
Smart metering

Test terminal block

16E-12I-4T EPI

Long sealable cover

Insulated jumper plugs



Technical data

Rated voltages

Terminal block unit	600V
Terminal block	800V
Jumper plug	600V CAT IV

Rated connection

1.5..16 mm²/
2x6 mm²

Current ratings

Perpendicular plug connection (T=-5..30°C)	32A
Perpendicular plug connection (T=-5..60°C)	14A
Longitudinal line of Terminal block	76A

Mechanical parameters

Impact resistance	IK08
Ingress protection (with cover)	IP40
Ingress protection (w/o cover)	IP20
Resistance to hot wire ignition	850°C

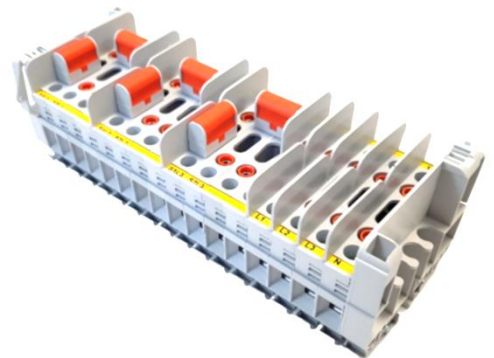
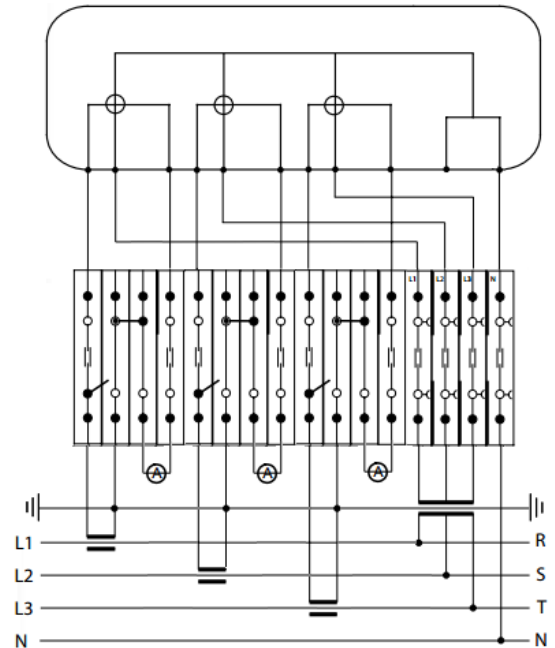
Dielectric strength test voltage	4.12kV
Uimp Impulse rated voltage	8kV

Temperature

Normal service temperature	-40°C +40°C
Lowest installation temperature	-25°C

Standard

EN 60947-7-1
EN 61010-031



Questions / inquiries / orders

OÜ Pistrik I-V
Laki 26, 12915 TALLINN, ESTONIA

www.pistrik.ee
sales@pistrik.ee